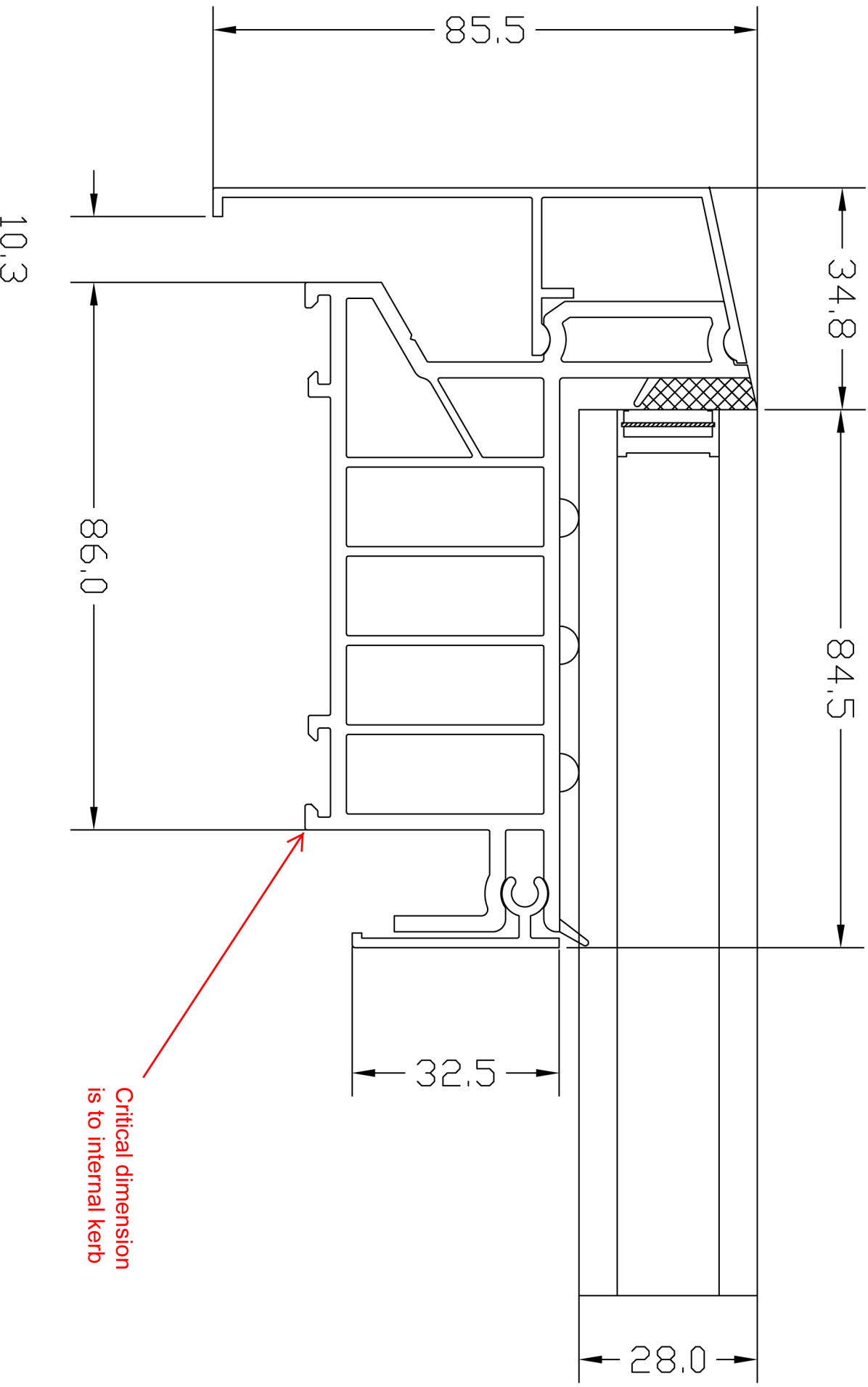


# FLAT ROOFLIGHT MEASUREMENTS



Critical dimension  
is to internal kerb